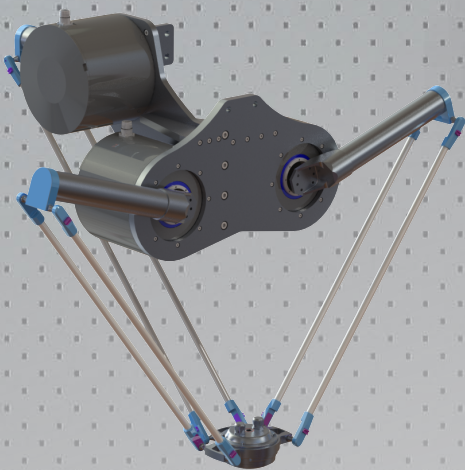
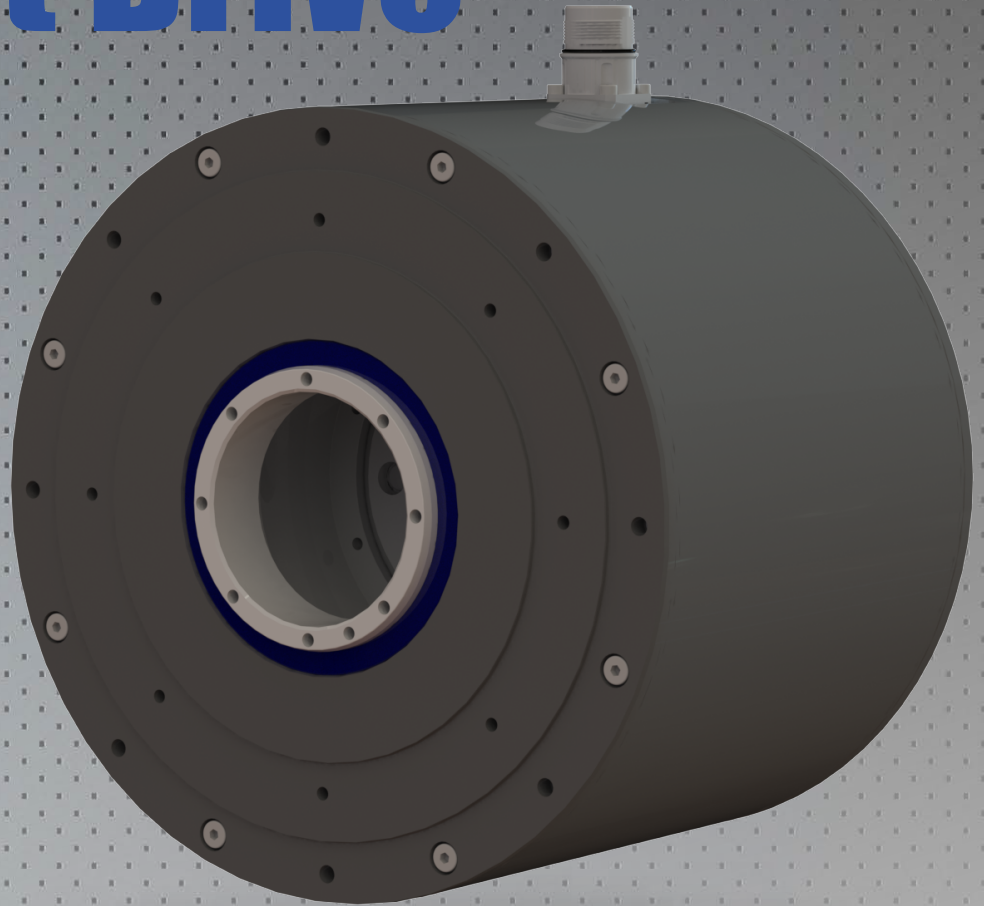




# Direct Drive



ULTRA-SILENT  
<24 dB(A)



ZERO  
BACKLASH



MAINTENANCE  
FREE



IP65  
RATED



ENERGY  
EFFICIENT



MADE IN  
HOLLAND





# Direct Drive motor for Delta robot applications

- Highly accurate with zero backlash
- Absolute encoder, one cable connection
- Extremely fast, no speed or acceleration limits due to gearboxes
- Maintenance free, no mechanical wear, no lubrication
- More direct drive options available: 4<sup>th</sup> and 5<sup>th</sup> axis
- Mounting flange compatible with Genesis Motion LDD motors.
- Low operating noise
- Energy efficient
- IP65 protection rating
- Made in Holland



## Specification Summary

DDAL		180/160	230/65	230/85
Outer diameter	[mm]	188	238	238
Length	[mm]	170	155	175
M rated/max.	[Nm]	15/35	30/130	40/200
N rated	[RPM]	400	700	450
I rated/max.	[A]	1.6/3.8	3.7/14.9	3.5/15.2
Weight	[Kg]	12	16	18
Powersupply	[VAC]	400	400	400
Holding brake	[Nm]	24	24	24

Preliminary specifications, subject to change

[More information?](#)

Our specialists will be happy to help you.  
Visit [abi.nl](http://abi.nl) for more contact information.